

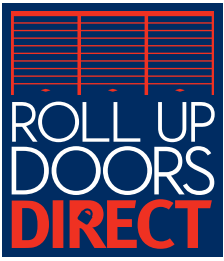
IIOO

commercial



superior product + recognized value





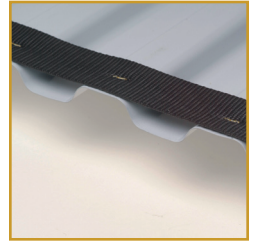
Roll Up Doors Direct has once again raised the bar with the Model 1100 commercial door. The windload rated version of our Pre-Assembled Industrial Door (PAID) features the traditional dependability and sturdiness of a commercial door, while significantly saving time and money during installation. How? The push-up operation comes with brackets and tensioner pre-assembled. The reduced drive chain hoist operation is delivered with brackets, tensioner, gears and chain drive pre-assembled on the door. In addition, door and guides install to jamb as a single assembly. Pre-assembly from the factory means less time spent on installation, therefore saving you money. Backed by a one year warranty, our PAID Model 1100 is a solid and economical investment for commercial/industrial usage

FEATURES



The 26 gauge corrugated door curtain is manufactured from full hard galvanized ASTM A-653 grade 80 steel and coated with Super Durable Polyester paint that is backed by a 40 year film integrity and a 25 year no-fade limited paint warranty. 12 gauge wind locks are attached to both ends of the curtain. The Model 1100 has been independently tested in accordance with ASTM E-330 to safely resist wind loads, rated +24.4 PSF and -27.0 PSF for opening widths through 8'8", and +19.4 PSF and -22.7 PSF for opening widths over 8'8" through 10'0". The Model 1100 has also been designed in accordance with ASCE 7-02 and the Florida Building Code 2004 with 2006 Supplement and the International Building Code 2003. Available in sizes up to 10'0" x 14'0" and in over 20 standard colors.

Tough, durable, wide, heavy-duty nylon stripping controls curtain stretch and works in conjunction with the vinyl guide strip to reduce wear and deaden sound.



The slide bolt lock assembly affixed to the bottom bar at each end of the door curtain fastens through the guide to securely keep the door locked and in the down position. Padlocks can be attached to the slide to further secure the door. Bulb astragal is standard on all doors.

The flat door stop bar makes installation quicker. Simply slide through the holder on the guide and affix with a fastener.



9 1/2" diameter drums allow for lower headroom requirements. An enclosed barrel houses the dead axle assembly and protects the factory-lubricated springs from direct contact with environmental elements. The inherent strength provided by the spiral barrel minimizes axle deflection, providing smoother operation. Because the curtain is attached by screws and not seamed to the barrel, cost-effective replacement of either independent assembly is quick and easy.

Grease-filled, shielded radial ball bearings at the drums provide longevity and smooth operation. Drums are embossed for rigidity.



The Roll Up Doors Direct ratchet tensioning device supplied as standard equipment on our door offers a simpler method of tensioning, while more accurately fine tuning all the springs on the door at the same time. Eight different positions on the tension wheel allow one to perfectly balance the door every time. There are no pins required to hold the tension on the spring. You simply just click it.

A 4:1 reduced drive chain hoist offers smoother operation on doors over 12'0" tall. Chain hoist comes pre-assembled on door.



superior product + recognized value

A team of experienced door experts is available to assist you with any of your door needs.

IIOO

commercial

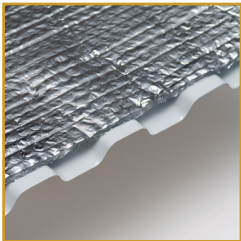
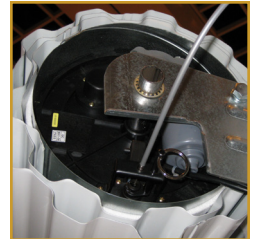
One year warranty on workmanship and material.



Factory-installed galvanized reinforced 12 gauge brackets are designed to easily snap onto the guides, reducing installation time.

OPTIONS

The Pantheon range of low voltage DC operators are designed to fit enclosed internally in the barrel of the rolling door, providing quiet and efficient operation but requiring only minimal side room. The logic controller is designed to be readily compatible with external transmitters, receivers, photo eyes and sensing edges. The operator is always fitted to the right side



Insulation is made of a foil-backed, dual-layer polyethylene air-bubble insulation secured in place with a strong adhesive and joined by mylar film to provide an R value of 4 (top draft stop and side draft stops are also included). Model 1100I only.



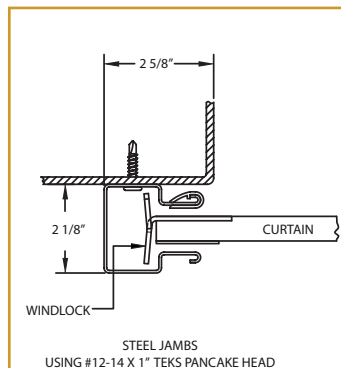
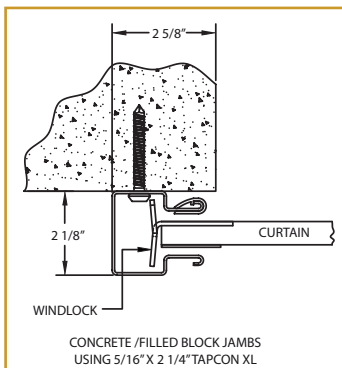
The top draft stop mounted to the door curtain provides a 2 1/2" weather seal between the door and the header.

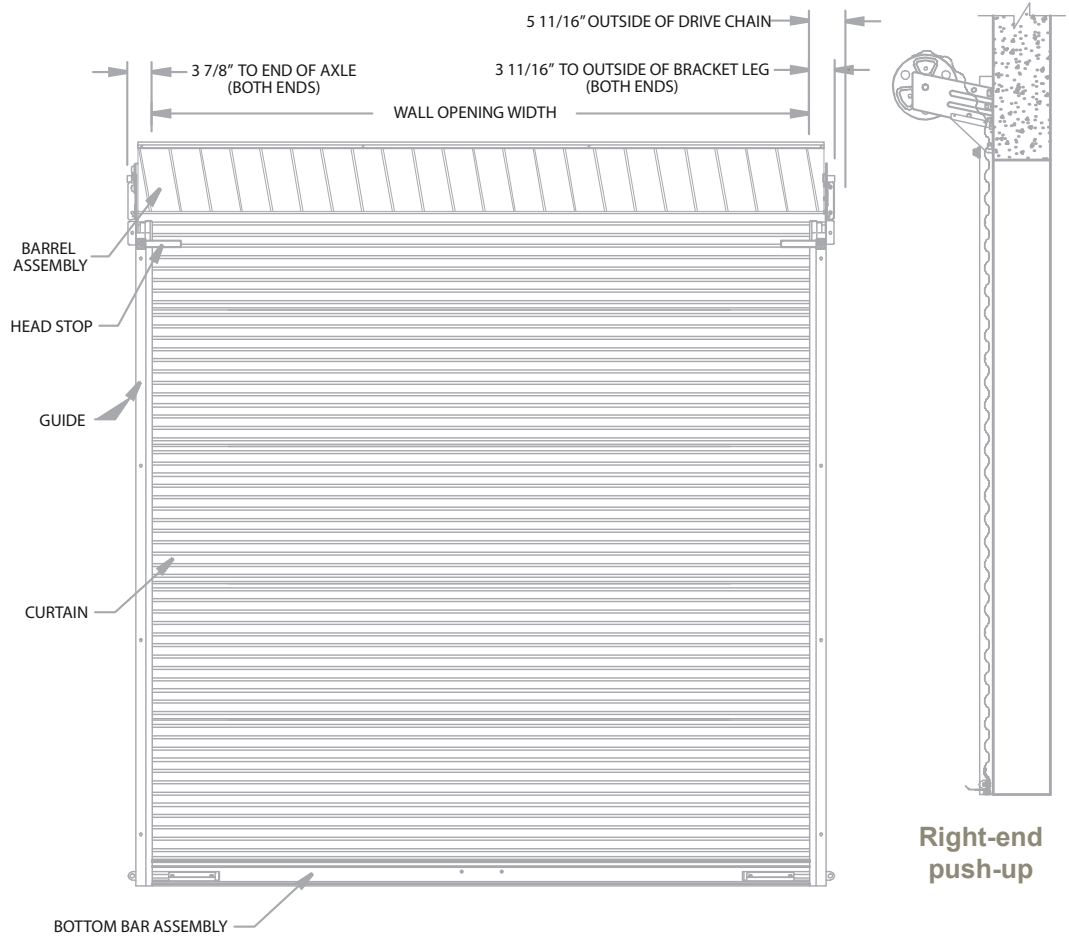
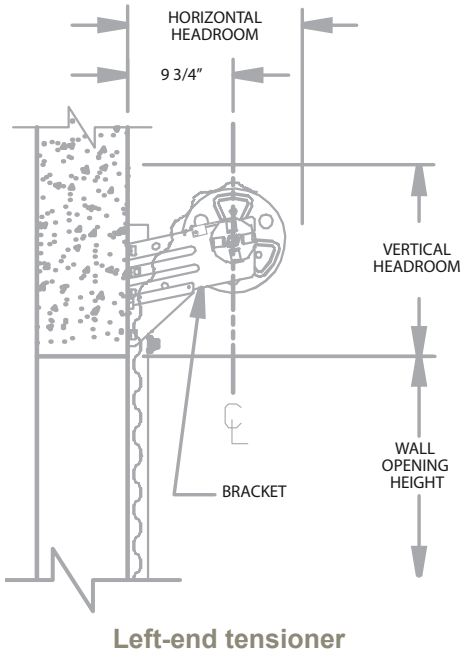


The header seal attaches directly to the header and extends up to 5" to the door curtain to form an effective barrier from environmental elements.

GUIDE DETAILS

Universal mount 2" deep 16 gauge galvanized steel guides require no pre-installation modifications for steel or concrete and masonry block applications. Guides have deeper engagement, which allows the curtain to stay in place under more severe wind conditions.





Side Room Requirements

Operation	Guide	Outside of Bracket Tensioner End	Outside of Hand Chain Drive	Outside of Bracket Drive End	Each End of Axle
Push Up	2-5/8"	3-7/8"	N/A	3-7/8"	3-11/16"
Reduced Drive Chain	2-5/8"	3-7/8"	5-11/16"	3-7/8"	3-11/16"
Electric	2-5/8"	3-7/8"	N/A	3-7/8"	3-11/16"

Head Room Requirements

Opening Height	Vertical Headroom	Horizontal Headroom
Thru 8'0"	18"	17 1/2"
Over 8'0" thru 10'0"	18 1/2"	17 3/4"
Over 10'0" thru 12'0"	18 3/4"	18"
Over 12'0" thru 14'0"	19"	18 1/2"

Roll Up Doors Direct

903 Jan Mar Court
Minneola, FL 34715

1 877 RLDOORS
1 877 753 6677

info@rollupdoorsdirect.com
www.rollupdoorsdirect.com